



**WORLD LEADERS IN THE DESIGN,
MANUFACTURE & DISTRIBUTION OF AUTOMATED
WELDING SYSTEMS AND ACCESSORIES**

**CUT COSTS, IMPROVE QUALITY, AND INCREASE EFFICIENCY ...WITH THESE PROVEN
GULLCO PRODUCTS**



KAT® SYSTEMS	MOGGY®	WELD PREP	OVENS	CERAMIC BACKINGS
<ul style="list-style-type: none"> Oscillators Torch indexers Flex & Rigid KAT® Programmable Travel Carriages Seam Trackers Bridge Units Circle Cutting System 	<ul style="list-style-type: none"> Trackless Fillet & Butt Welding, Stitch Welding control Radial Oscillation Control 6" V-groove Track Available 	<ul style="list-style-type: none"> Bevellers Positioners Grippers Kamel Pipe Turning Rolls 	<ul style="list-style-type: none"> Flux Rebake Flux Holding Flux Hoppers Electrode Stabilizing 	<ul style="list-style-type: none"> KATBAK® Ceramic Weld Backing Impart Uniform X-Ray Quality Back Beads Eliminate Costly Grinding & Re-welds Knuckle Joints for Use On Flat or Curved Surfaces

CONTACT GULLCO OR YOUR GULLCO DISTRIBUTOR TODAY FOR INFORMATION ON ANY OF THESE PRODUCTS

KAT, KBM, MOGGY, KATBAK & SAM are registered trademarks of Gullco Enterprises Limited

SPECIFICATIONS ARE SUBJECT TO CHANGE WITHOUT NOTICE. ALL DIMENSIONS ARE NOMINAL

Distributed by:

GULLCO		
CANADA - GULLCO INTERNATIONAL LIMITED	Phone: 905-953-4140	Fax: 905-953-4138 e-mail: sales@gullco.com
U.S.A - GULLCO INTERNATIONAL INC.	Phone: 440-439-8333	Fax: 440-439-3634 e-mail: ussales@gullco.com
EUROPE - GULLCO INTERNATIONAL (U.K.) LIMITED	Phone: +44 1257-253579	Fax: +44 1257-254629 e-mail: uksales@gullco.com
AUSTRALIA - GULLCO INTERNATIONAL PTY LIMITED	Phone: 61 (0)7 3348 5515	Fax: 61 (0)7 3348 5510 e-mail: ausales@gullco.com
INDIA - GULLCO INTERNATIONAL INDIA PVT LIMITED	Phone: +91-20-2551-1433	Fax: +91-20-2551-1433 e-mail: indsales@gullco.com
CHINA - GULLCO INTERNATIONAL SHANGHAI LIMITED	Phone: +8621-50460341	Fax: +8621-50463554 e-mail: c.zhang@gullco.com
SINGAPORE - GULLCO INTERNATIONAL LIMITED	Phone: +65-9385-4468	e-mail: benny.lim@gullco.com
LATIN AMERICA - GULLCO INTERNATIONAL LIMITED	Phone: 55-11-99485-1336	e-mail: rogerio.macedo@gullco.com
Stuch GmbH & Co. KG Schweisstechnik - GERMANY	Phone: (02 03) 72 94 95	Fax: (02 03) 72 94 96 e-mail: info@stuch-schweisstechnik.de

GULLCO.COM

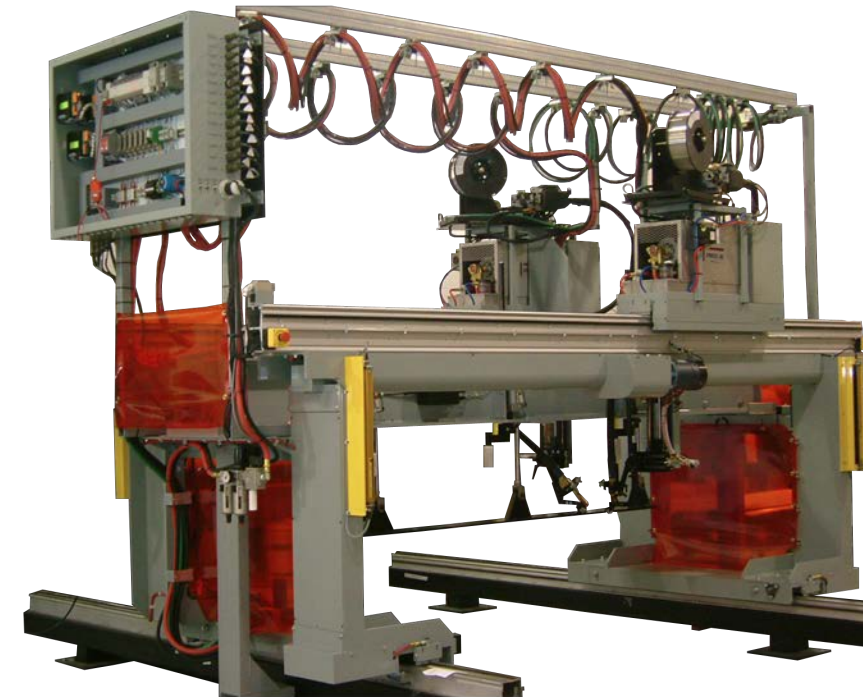
GAN-11-01

WELDING AND CUTTING AUTOMATION

GULLCO



CUSTOM GANTRY AND BRIDGE SYSTEMS



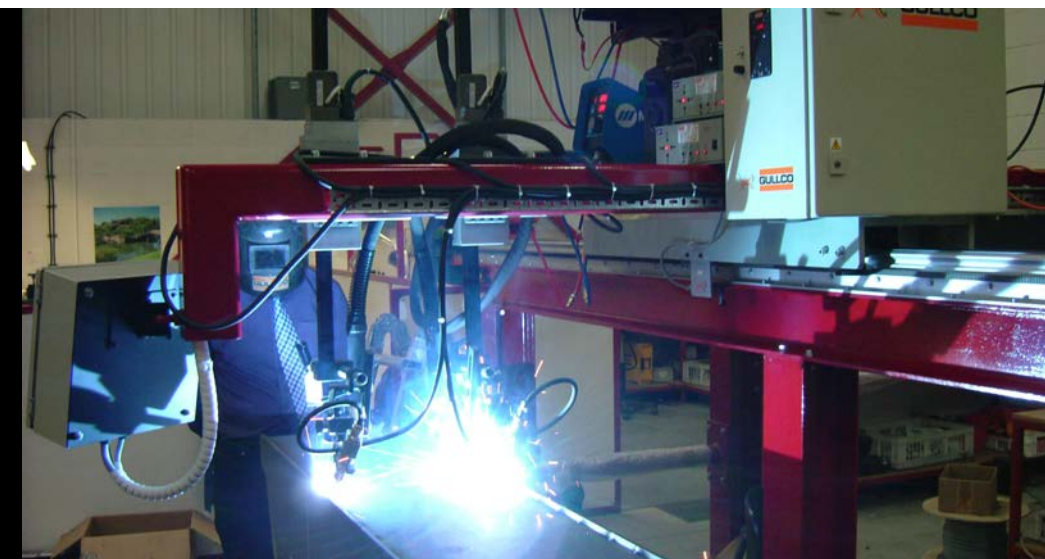
Gullco Gantry Units are custom designed assemblies that are used in a variety of applications such as automated seam welding, fabricated assemblies, stiffener seams and automated cutting operations such as stripping and edge preparation. **Gullco will custom design a gantry or bridge unit to meet your specific requirements.** A wide variety of custom design features and efficient, high end Gullco systems and components provide cost effective, reliable solutions for your welding and cutting automation needs.

Generate Accurate and Repeatable High Quality Weld Results

CUSTOM ENGINEERED TO AUTOMATE WELDING AND CUTTING OPERATIONS WITH PRECISION



WELDING AND CUTTING

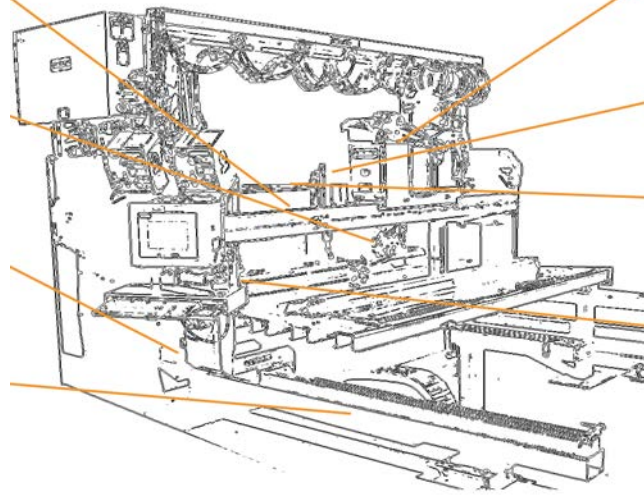


GANTRY BEAM - made from heavy duty track sections. spans range up to 18 ft.

WELDING GUN/CUTTING TORCH OR TOOL MOUNTING SYSTEMS - tailored to suit application requirements including mounting Seam Trackers, etc.

GANTRY SUPPORT CARRIAGES- Equipped with heavy duty cam type roller bearing assemblies.

LONGITUDINAL TRACK SECTIONS- interlocking design allows unlimited longitudinal travel.

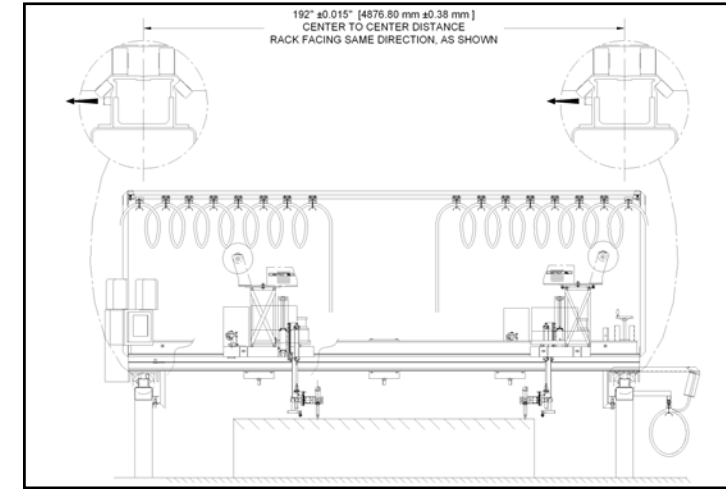


X-AXIS TRAVERSE CARRIAGE powered by Gullco KAT® 24volt gear motors.

Y-AXIS LONGITUDINAL DRIVE powered by Gullco low voltage, heavy duty drive systems.

CROSS DRIVE SHAFT- direct gear drive to each longitudinal track ensures accurate tracking of gantry.

CONTROL STATION- incorporates a touch screen 9460 industrial flat panel PC utilizing Citect HMI software to control functions such as automatic forward/reverse travel, variable speeds, automatic seam location/tracking and automatic operation of weld guns.



WELDING

This diagram shows a typical welding Gantry/Bridge unit design. The long tracks are located underneath the table providing protection. This also allows the work piece to be easily loaded at any point on the table as it is clear and easily accessible. The bridge unit can be equipped to automatically position and clamp the parts to be welded. It can also be supplied with mechanical, electronic or laser seam tracking equipment. Gullco can custom design a Gantry/Bridge system to meet your specific requirements.

LET GULLCO ENGINEER AND BUILD A GANTRY/BRIDGE SYSTEM FOR YOU
Seam Tracking is provided by Gullco designed vertical and horizontal tracking device.

GANTRY AND BRIDGE SYSTEM FEATURES



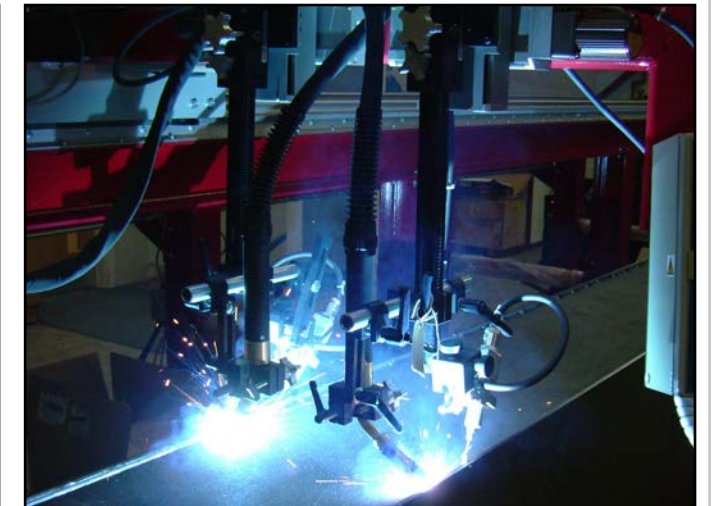
Touch screen industrial PC utilizing Citect HMI software.



Longitudinal track and cables are located underneath the table in protection.



Gullco Gantry system is equipped with dual torches enabling simultaneous welds on both sides of aluminium trailer sidewall stiffeners in one pass.



Seam tracking is provided by a Gullco designed vertical and horizontal tracking device.